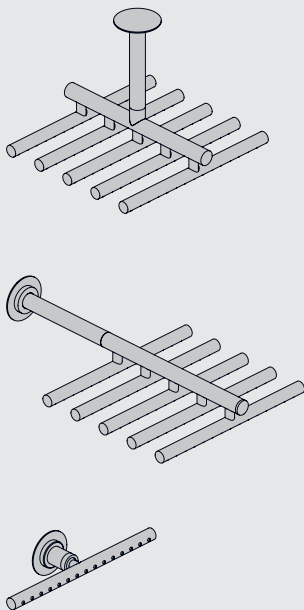


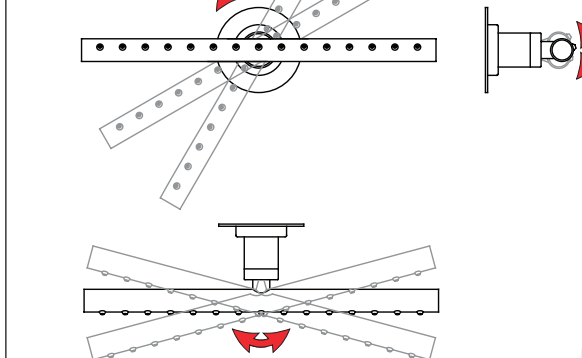
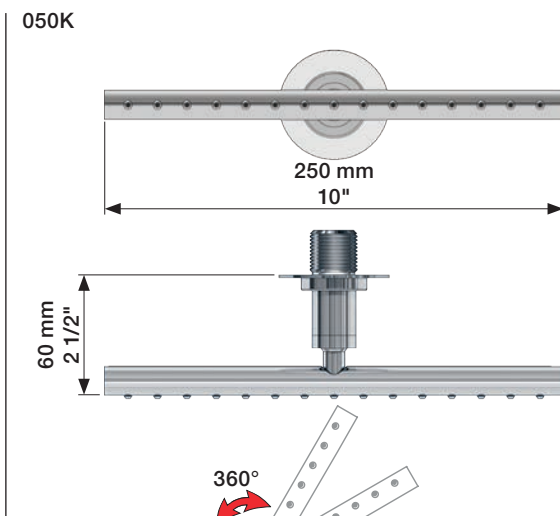
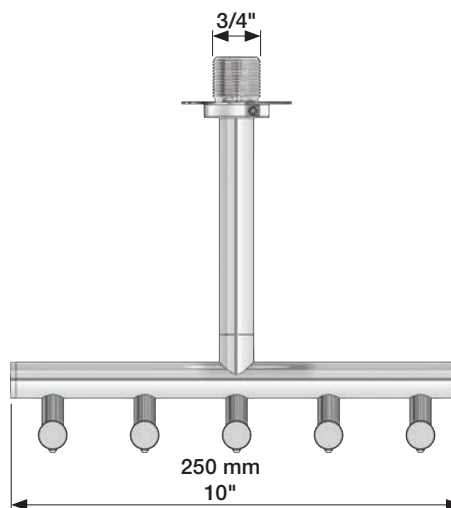
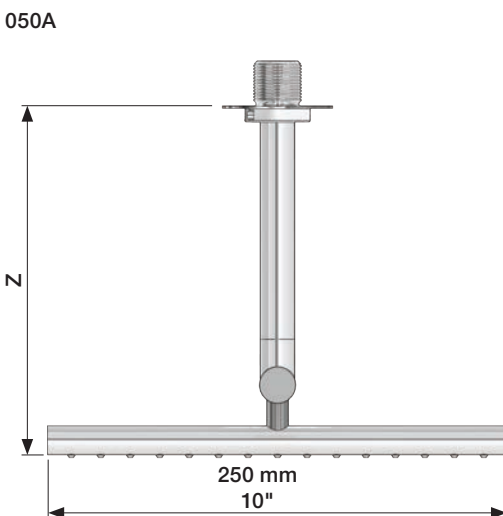
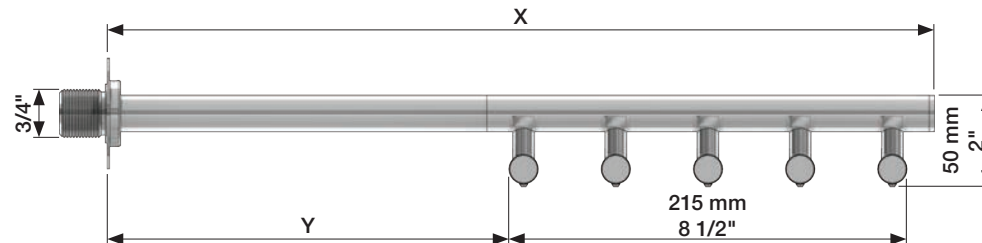
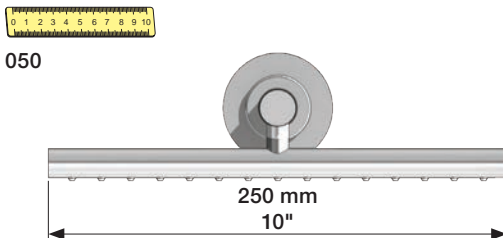
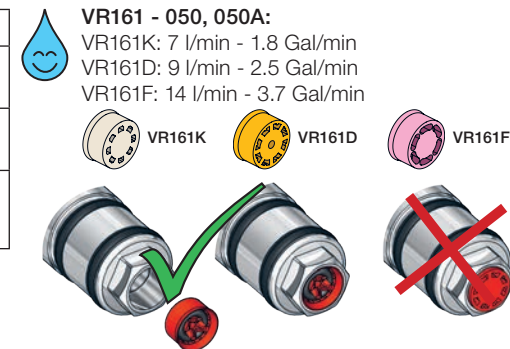
**VOLA 050, 050A, 050K**

Fitting instruction  
 Montageanleitung  
 Monteringsvejledning  
 Monteringsvægledning  
 Montage hanleiding  
 Manuel de montage

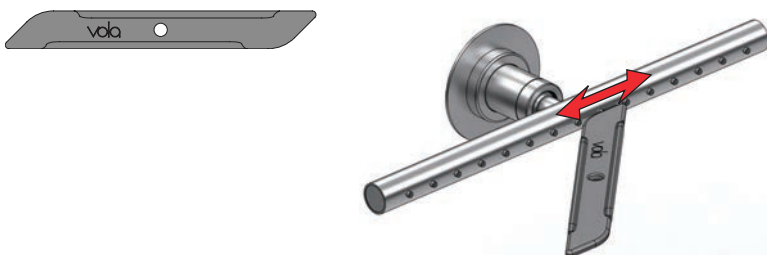


| Data | -100          | Std.             | +100              | +200              |
|------|---------------|------------------|-------------------|-------------------|
| X    | 440 mm<br>17" | 540 mm<br>21"    | 640 mm<br>25"     | 740 mm<br>29"     |
| Y    | 205 mm<br>8"  | 310 mm<br>12"    | 405 mm<br>16"     | 505 mm<br>20"     |
| Z    | -             | 190 mm<br>7 1/2" | 290 mm<br>11 3/8" | 390 mm<br>15 3/8" |

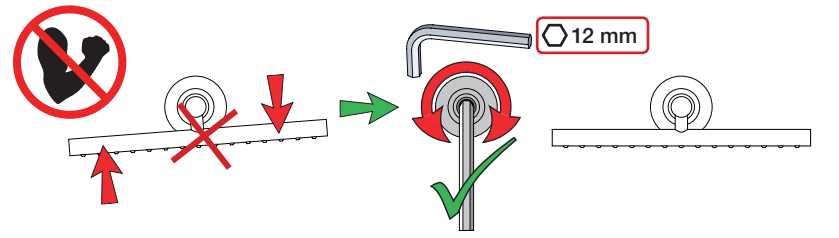
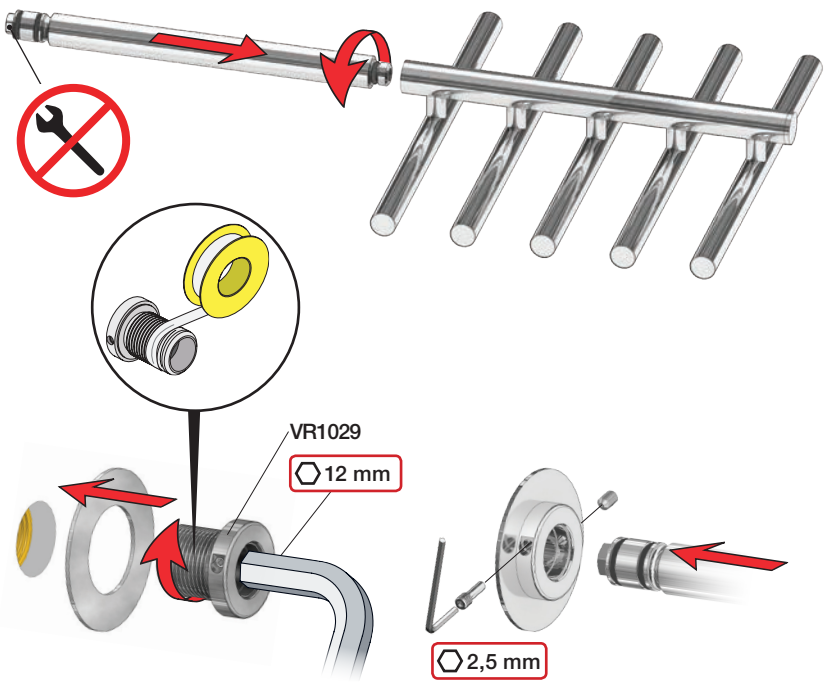
| Data             | Bar:                 | 1         | 2         | 3         | 4         | 5         |
|------------------|----------------------|-----------|-----------|-----------|-----------|-----------|
| 051/051A         | (l/min)<br>(Gal/min) | 13<br>3.5 | 19<br>5.0 | 23<br>6.1 | 26<br>7.0 | 30<br>7.8 |
| 051K             | (l/min)<br>(Gal/min) | 5<br>1.3  | 5<br>1.3  | 5<br>1.3  | 5<br>1.3  | 5<br>1.3  |
| Max. 65°C. 150°F |                      |           |           |           |           |           |



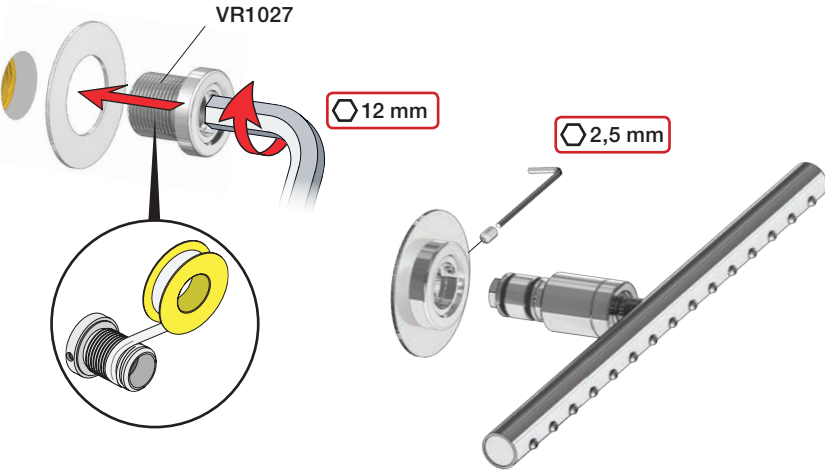
**Service - VR556**



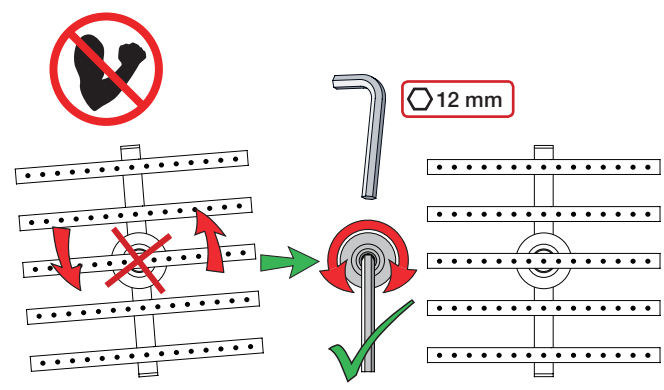
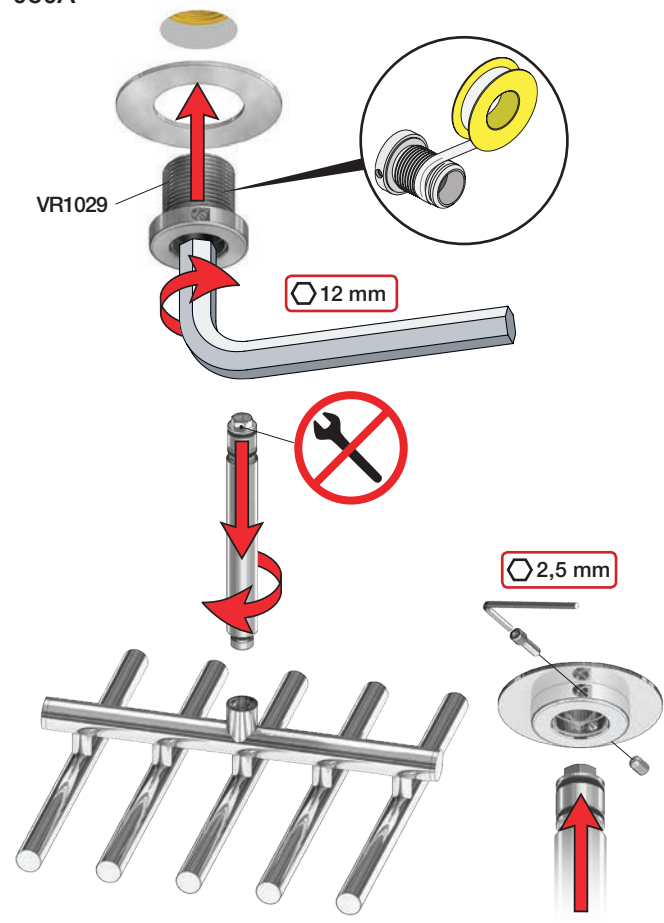
050



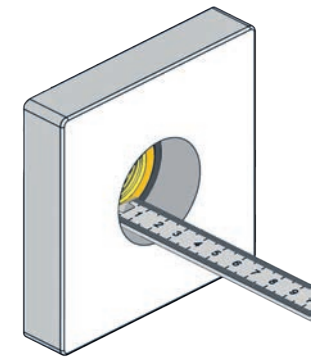
050K





050A



Extension Verlängerung Forlængerdele Förlängning Verlangstücken Modification



|           |            | VR1027:  | VR1029:  |
|-----------|------------|---------------------------------------------------------------------------------------------|---------------------------------------------------------------------------------------------|
| Tiles:    | 3 - 15 mm  | Standard                                                                                    | Standard                                                                                    |
| Fliesen:  | 15 - 25 mm | VR1027+10                                                                                   | VR1029+10                                                                                   |
| Fliser:   | 25 - 35 mm | VR1027+20                                                                                   | VR1029+20                                                                                   |
| Tegels:   | 35 - 45 mm | VR1027+30                                                                                   | VR1029+30                                                                                   |
| Carreaux: | 45 - 55 mm | VR1027+40                                                                                   | VR1029+40                                                                                   |
|           | 55 - 65 mm | VR1027+50                                                                                   | VR1029+50                                                                                   |

VR1027+ & VR1029+

