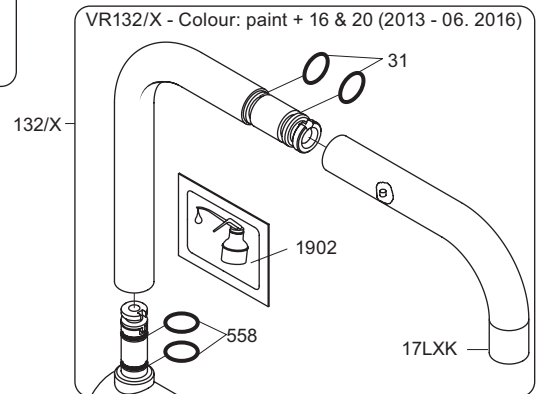
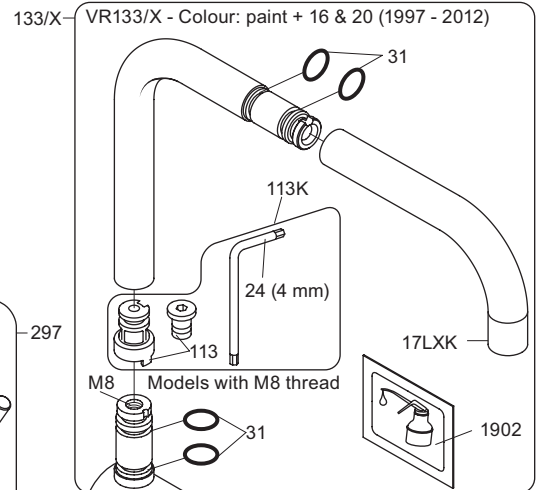
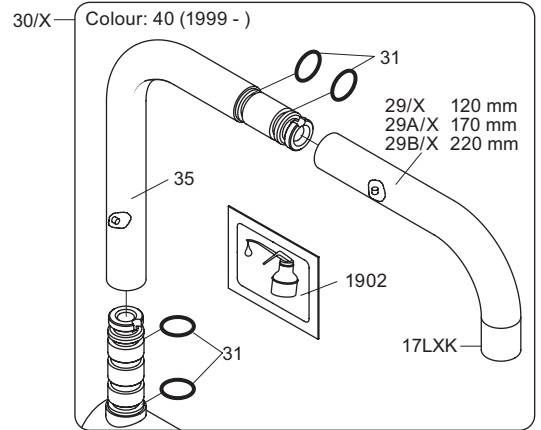
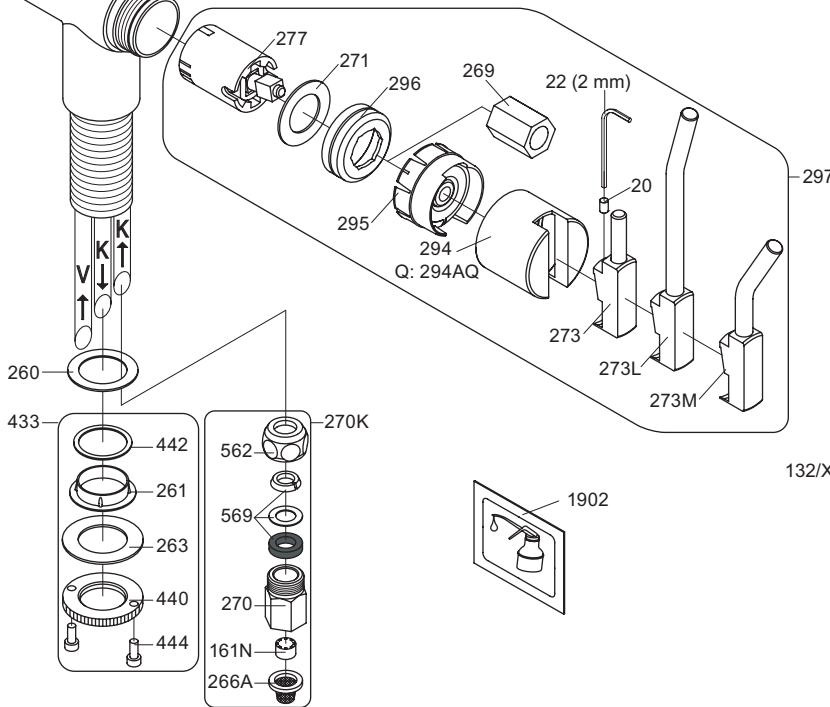
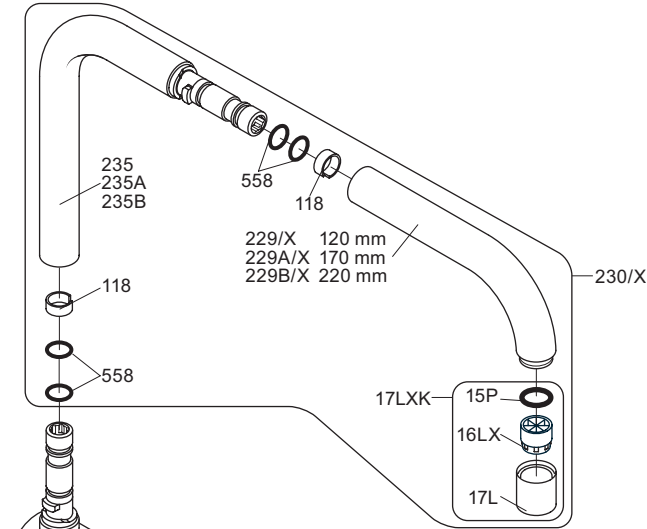
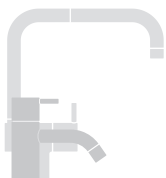


Colour: paint + 16, 19, 20



- NR.10/L/M: VR20, VR22, VR273/L/M, VR294, VR295  
 VR17LXK: VR15P, VR16LX, VR17L  
 VR30/X: VR15P, VR16LX, VR17L, VR29, 4xVR31, VR35, VR1902 (F40) (and KV1EB from 1972 - 1996)  
 VR132/X: VR15P, VR16LX, VR17L, 2xVR31, 2xVR558, VR1902 (2013 - 06. 2016)  
 VR133/X: VR15P, VR16LX, VR17L, VR24, 4xVR31, VR113, VR1902 (1997 - 2012)  
 VR230/X: VR15P, VR16LX, VR17L, 2xVR118, VR229, VR235, 4xVR558, VR1902 (06-2016 - )  
 VR270K: VR161N, VR266A, VR270, VR562, VR569  
 VR277K: VR22, VR269, VR277  
 VR297/L/M: VR20, VR22, VR269, VR273/L/M, VR277, VR294, VR295, VR296  
 VR433: VR261, VR263, VR440, VR442, 2xVR444



vola

Lunavej 2  
 DK-8700 Horsens  
 Tlf : + 45 7023 5500  
 sales@vola.com  
 www.vola.com

**VOLA KV1EB**

Date  
 Jan. 17

Rev.  
 5

Sheet  
 SB25.8