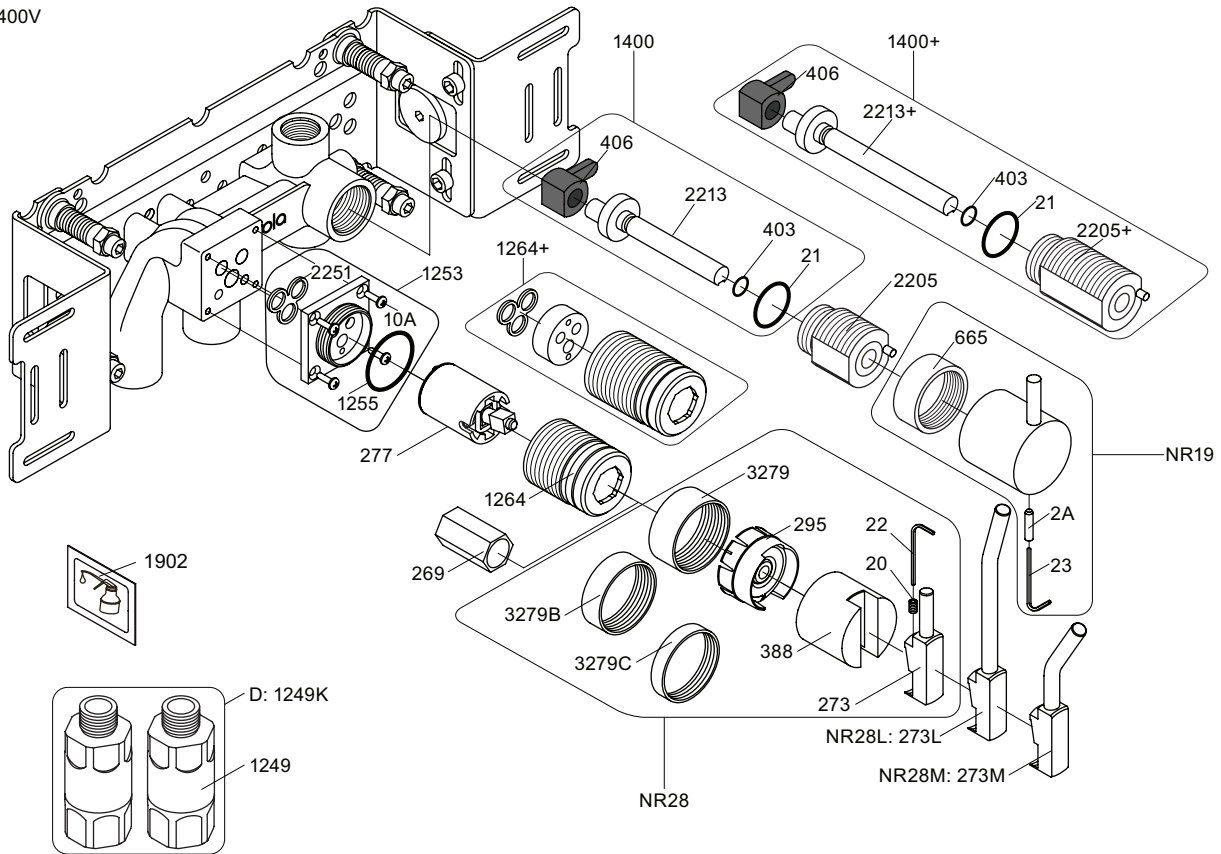
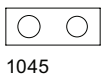
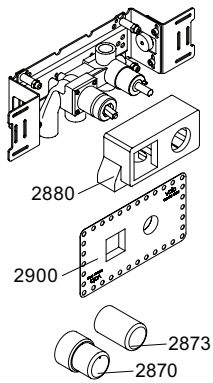


400V



- NR28: VR20, VR22, VR269, VR273, VR295, VR388, VR3279, VR3279B, VR3279C
- NR19: R2A, VR22, VR665, VR1419
- VR277K: VR22, VR269, VR277
- VR298: VR20, VR22, VR269, VR273, VR277, VR295, VR388, VR1264, VR3279, VR3279B, VR3279C
- VR1253: 4xVR10A, VR1255, VR2251
- VR1400: VR21, VR23, VR406, VR1902, VR2213

400V

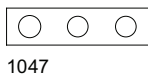
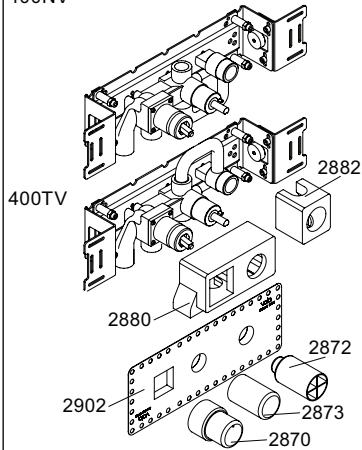


1045



3001

400NV

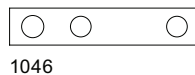
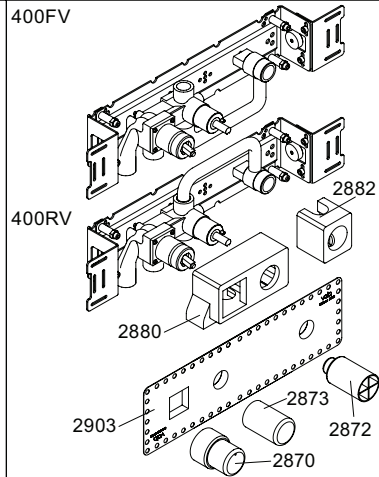


1047



3001, 001, 001G

400FV

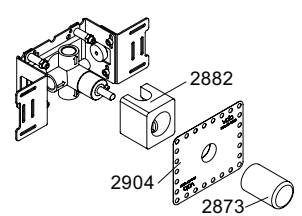


1046



3001, 001, 001G

400DV



-



001G



vola

Lunavej 2
DK-8700 Horsens
Tlf : + 45 7023 5500
sales@vola.com
www.vola.com

VOLA 400
400V, FV, NV, RV, TV, D

Date
Apr. 12

Rev.
6

Sheet
SB 3.2