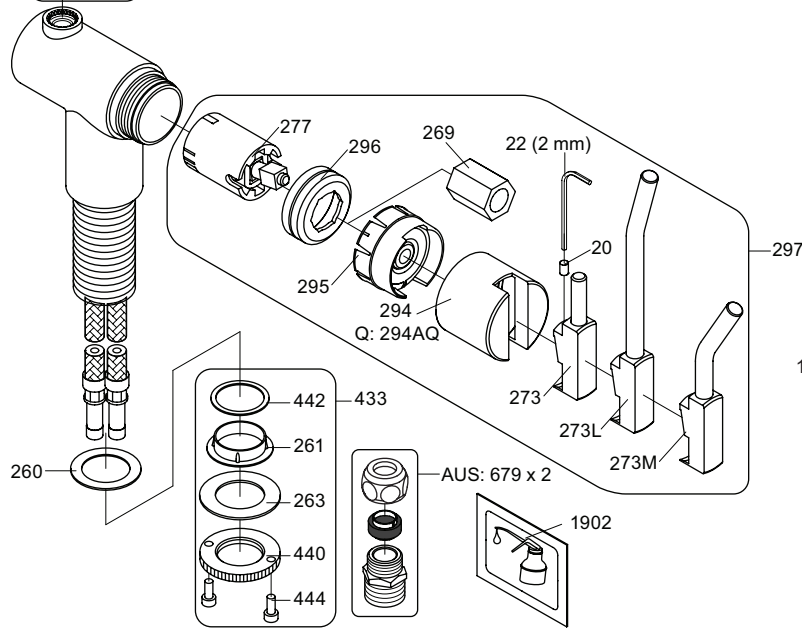
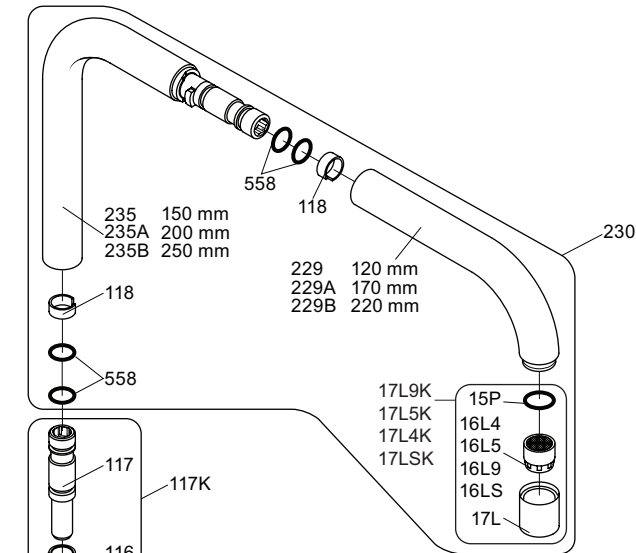
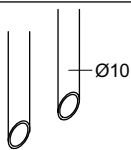


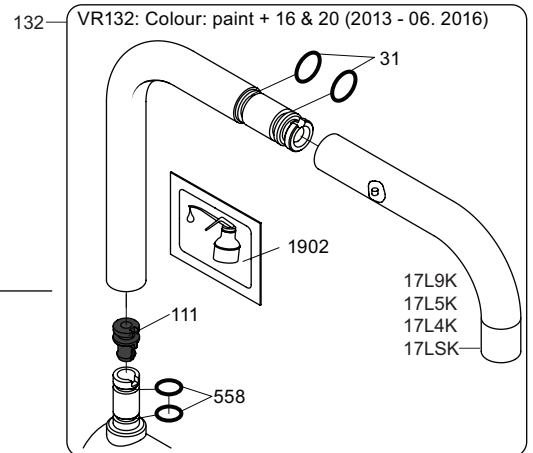
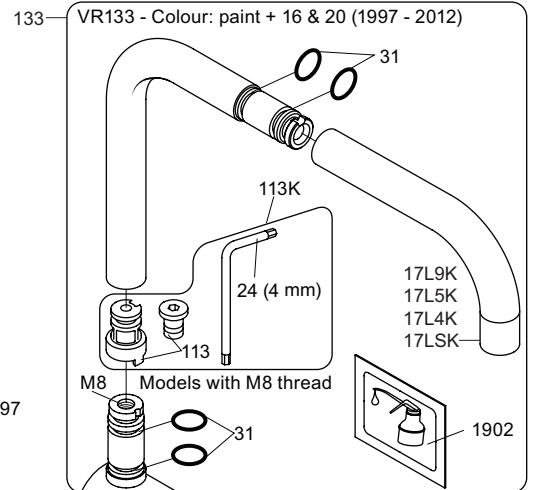
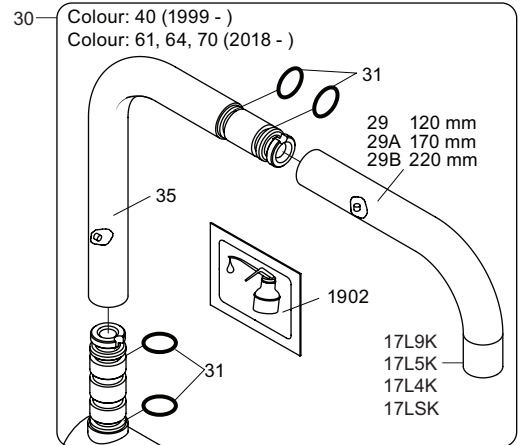
Colour: 02, 04, 05, 06, 08, 09, 12, 14, 15, 16, 17,  
18, 19, 20, 21, 25, 27, 60, 62, 63, 65, 66



Cu:  
KV1: Ø10  
KV1US: Ø3/8"  
KV1Q: Ø3/8"



SPX:  
KV1US:  
9/16" 480 mm



- NR.10/L/M: VR20, VR22, VR273/L/M, VR294, VR295  
 VR17L4K: VR15P, VR16L4, VR17L (US Standard)  
 VR17L5K: VR15P, VR16L5, VR17L  
 VR17L9K: VR15P, VR16L9, VR17L  
 VR17LSK: VR15P, VR16LS, VR17L  
 VR30: VR15P, VR16L9, VR17L, VR29, 4xVR31, VR35, VR1902 (F40) (and KV1 from 1972 - 1996)  
 VR132: VR15P, VR16L9, VR17L, 2xVR31, 2xVR558, VR1902 (2013 - 06. 2016)  
 VR133: VR15P, VR16L9, VR17L, VR24, 4xVR31, VR113, VR1902 (1997 - 2012)  
 VR230: VR15P, VR16L9, VR17L, 2xVR118, VR229, VR235, 4xVR558, VR1902 (06-2016 - )  
 VR117K: VR116, VR117, VR118, 2xVR558, VR1902  
 VR277K: VR22, VR269, VR277  
 VR297/L/M: VR20, VR22, VR269, VR273/L/M, VR277, VR294, VR295, VR296  
 VR433: VR261, VR263, VR440, VR442, 2xVR444



vola  
Lunavej 2  
DK-8700 Horsens  
Tlf : + 45 7023 5500  
sales@vola.com  
www.vola.com

### KV1 Family:

KV1: /250, /300  
 KV1L: /250, /300  
 KV1M: /250, /300

Date  
Jun. 16

Rev.  
8

Sheet  
SB25.2